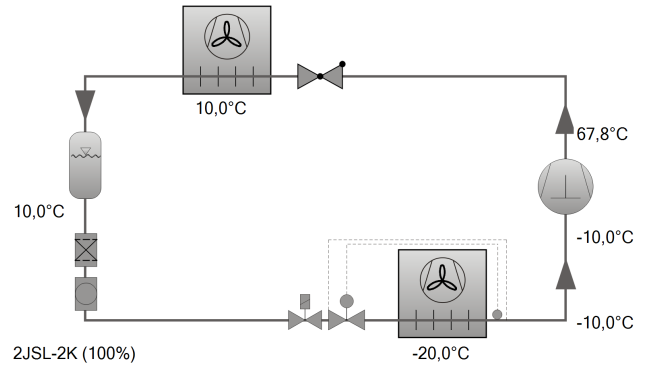




Selection: Semi-hermetic Reciprocating Compressors

Input Values

Compressor model	2JSL-2K
Mode	Refrigeration and air conditioning
Refrigerant	R744
Reference temperature	Dew point temp.
Evaporating SST	-20,00 °C
Condensing SDT	10,00 °C
Liq. subc. (in condenser)	0 K
Suct. gas superheat	10,00 K
Operating mode	Subcritical
Power supply	400V-3-50Hz
Capacity control	100%
Useful superheat	100%



Result

Compressor	2JSL-2K-40S
Capacity steps	100%
Cooling capacity	8,24 kW
Cooling capacity *	8,24 kW
Evaporator capacity	8,24 kW
Power input	2,19 kW
Current (400V)	4,20 A
Voltage range	380-420V
Condenser capacity	10,43 kW
COP/EER	3,76
COP/EER *	3,76
Mass flow	132,8 kg/h
Discharge gas temp. w/o cooling	67,8 °C

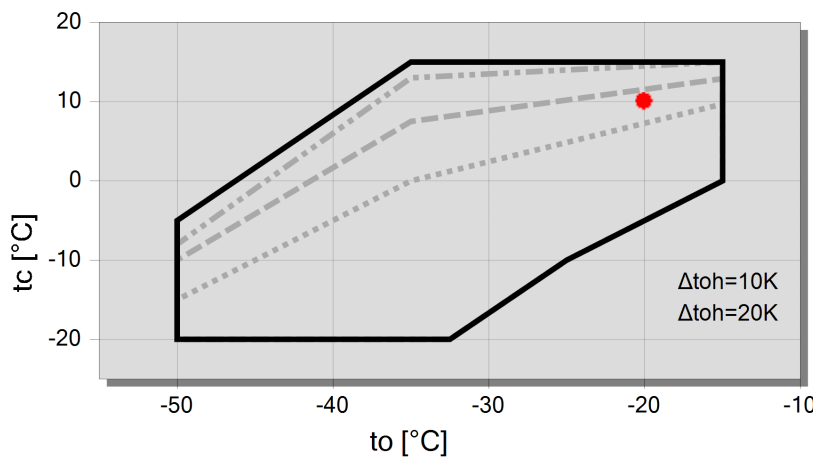


Tentative Data.

*Compressor performance data certified by ASERCOM (see T. Data/ Notes)

*according to EN12900 (10K suction gas superheat, 0K liquid subcooling)

Application Limits 2JSL-2K



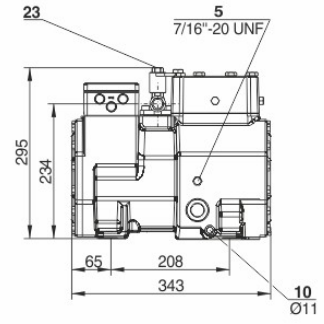
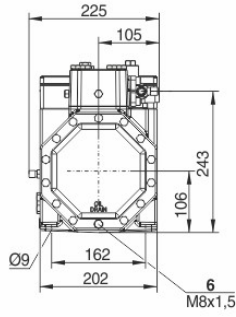
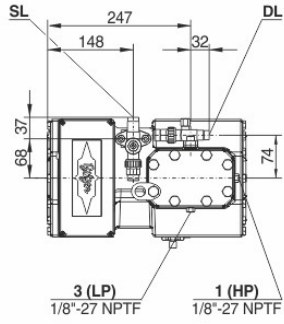
Legend

- max. tc for frequencies = 40Hz
- .- max. tc for frequencies = 35Hz
- ... max. tc for frequencies = 30Hz
- A



Technical Data: 2JSL-2K

Dimensions and Connections





Technical Data

Technical Data

Displacement (1450rpm 50Hz)	3,48 m ³ /h
Displacement (1750rpm 60Hz)	4,19 m ³ /h
No. of cylinder x bore x stroke	2 x 34 mm x 22 mm
Weight	48 kg
Max. pressure (LP/HP)	30 / 53 bar
Connection suction line	16 mm - 5/8"
Connection discharge line	12 mm - 1/2"
Oil type R744 (CO ₂)	BSE60K (Standard) BSE85K, BSG68K (Option)

Motor data

Motor version	1
Motor voltage (more on request)	380-420V Y-3-50Hz
Max. operating current	4.6 A
Starting current (Rotor locked)	25.5 A
Max. power input	2,4 kW

Extent of delivery (standard)

Motor protection	SE-B3(Standard), SE-B2(Option)
Enclosure class	IP65
Vibration dampers	Standard
Oil charge	1,00 dm ³

Available options

Oil heater	0..60 W PTC (Option)
------------	----------------------

Sound measurement

